

4A, 18V High Efficiency Synchronous Step-Down Converter

DESCRIPTION

The ETA1486 is a wide input range, high-efficiency, DC-to-DC step-down switching regulator, capable of delivering up to 4A of output current. Current mode PWM control allows the use of small external components, such as ceramic input and output caps, as well as small inductors, while still providing low output ripples. On top of the integrated internal synchronous rectifier that eliminates external Schottky diode, ETA1486 also employs a proprietary control scheme that switches the device into a power save mode during light load, thereby extending the range of high efficiency operation. Therefore, ETA1486 is a much superior solution in comparison to other competitions in terms of efficiency and cost. Overall, ETA1486 is a highly efficient and robust solution for DC-DC step-down applications that requires wide input ranges.

ETA1486 is available ESO8 Packages.

FEATURES

- ◆ **Wide Input Operating Range from 4.5V to 18V**
- ◆ **High Efficiency: Up to 95% at Light Load**
- ◆ **Capable of Delivering 4A**
- ◆ **No External Schottky Diode Needed**
- ◆ **Inductor Short Circuit Protection**
- ◆ Current Mode control
- ◆ 0.923V Reference for Low Output voltages
- ◆ Logic Control Shutdown
- ◆ Thermal shutdown and UVLO
- ◆ Available in ESO8 Package

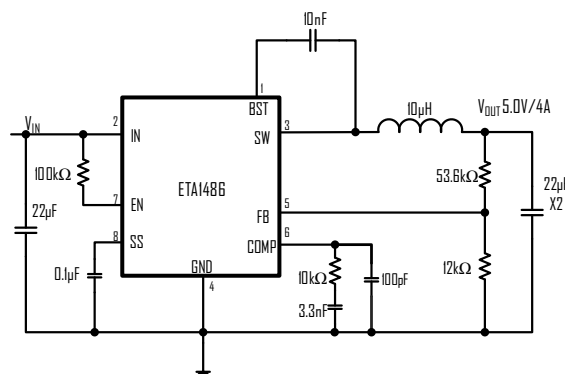
APPLICATIONS

- ◆ LCD TVs
- ◆ Notebook computers
- ◆ FPGA power supplies
- ◆ LED drivers

ORDERING INFORMATION

| PART | PACKAGE PIN | TOP MARK |
|--------------|-------------|----------------------------|
| ETA1486E8A-T | ESOP8 | ETA1486 YLLFF Date Code |

TYPICAL APPLICATION



4A Wide Input Step Down Synchronous Converter